

The New Mitsubishi

PAJERO

LIMITED



Take Command





Power Door Mirrors with Power Folding Feature



Dealer Option New Design Spare Tire Cover



Dealer Option Rear Spoiler and Rear 3rd Brake Lamp



Dealer Option Reverse Sensors



17" Aluminum Wheels with 265/65 R17 Tires



High and Low Beams HID (High Intensity Discharge) Lamps with User-Selectable Level Settings



Illuminated Side Step



Dealer Option Bumper Tail Lamps



Fog Lamps



Rear Wiper with Washer and Rear Demister

New PAJERO LIMITED

DIMENSIONS		
Overall Length (mm)		4830
Overall Width (mm)		1895
Overall Height (mm)		1855
Wheelbase (mm)		2780
Track (Front/Rear) (mm)		1560/1560
Ground Clearance (mm)	235 (Gas)	225 (Diesel)
Turning Radius (m)		5.7
Tires	265/65 R17 112H	
Wheels	17"x 7.5"JJ	
Fuel Tank Capacity	90 liters	

ENGINE		
	GAS	DIESEL
Model & Type	6G75 24-Valve SOHC	4M41 16-Valve DOHC T/C I/C
Fuel System	ECI-Multi Point Injection	Electronic Diesel Direct Injection
Displacement (cc)	3828	3200
Compression Ratio	9.5 : 1	17 : 1
Max. Output PS/rpm	204 / 5000	165 / 3800
Max. Torque Kg-m/rpm	32.0 / 3250	38.0 / 2000

TRANSMISSION			
Model	INVECS-II 5-Speed A/T with Sportronic & Super Select 4WD (SS4 II)		
Gear Ratios	3.789	1st	3.789
	2.057	2nd	2.057
	1.421	3rd	1.421
	1.000	4th	1.000
	0.731	5th	0.731
	3.865	Reverse	3.865
	4.300	Final	3.917
Transfer Case	1.000	High	1.000
	1.900	Low	1.900
		Sportronic	Standard

STEERING	
Gear Type	Rack & Pinion
Power Steering	Standard
Steering Wheel	Wood and Leather-Wrapped 4-Spoke
Tilt Adjustment	Standard

SAFETY	
Driver Side Airbag	Standard
Passenger Side Airbag	Standard
Seatbelts • Front 3pt. ELRx2	Standard
• 2nd Row Seat 3pt. ELR/ALRx3	
• 3rd Row Seat 3pt. ELRx2	
Side Impact Beams	Standard
Laminated Windshield	Standard
Stability Control	M-ASTC (Mitsubishi Active Stability Traction Control)

BRAKES	
Front	16" Ventilated Discs
Rear	16" Ventilated Drum-in-Disc
ABS	Multi-Mode ABS with EBD

SUSPENSION	
Front	Double Wishbone with Coil Spring and Stabilizer Bar
Rear	Independent Multi-link with Coil Spring and Stabilizer Bar

AUDIO SYSTEM	
MMAD Multimedia DVD/MP3/WMA/SD Card/CD/FM/AM In-Dash Fully Motorized	
6.5" High-Resolution LCD Touch Screen with Bluetooth Hands-Free Technology	
Antenna	Power with Halfway Switch

INTERIOR	
Center Console	2 Layer Compartment
Power Door Mirrors	Standard (with Power Folding Feature)
Interior Door Handles	Titanium-Accent
RV Meter	Multi-Display LCD Readout
Illuminated Key Cylinder	Standard
3rd Row Seat	Detachable
Power Window Control Panels	Titanium-Accent
Power Windows	Standard
Power Door Locks	Standard
MMAS Keyless Entry w/ Alarm	Dealer Option
Mit-Air A/C System	Standard

EXTERIOR	
Headlamp	High and Low Beams HID with User-Selectable Level Settings
Headlamp Washer	Standard
Rear Demister	Standard
Rear Wiper and Washer	Standard
Exterior Door Handles	Color-Keyed
Door Sash	Black-Out
Windshield Mounting	Black
Door Mirrors	Electronically Adjustable and Folding/Color-Keyed/Heated
Radiator Grille	Color-Keyed
Front Fog Lamps	Standard
Illuminated Door Steps	Standard
Reverse Sensors	Dealer Option

MISCELLANEOUS	
3rd Brake Lamp	Standard
Rear Armrest with Cupholder	Standard
12V Socket	Standard

1. Mitsubishi Motors Philippines Corporation reserves the right to alter any specifications without prior notice.
2. Photos shown in this brochure may slightly differ from the actual unit.

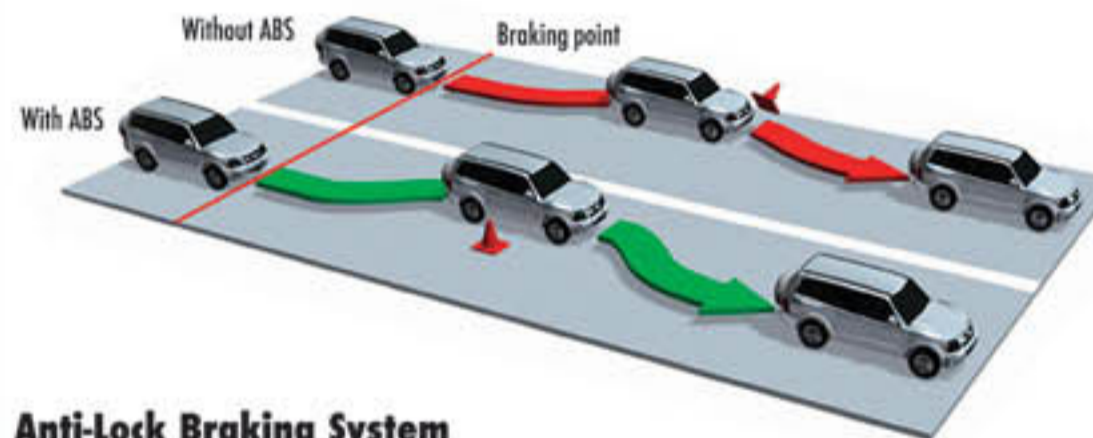
On Quality:
We seek excellence in our products and services and recognize that customer satisfaction is the essence of our mission.

Enveloped in Safety

Whether commuting to work or on a weekend cruise through the woods, you never know when the road will throw you an unwanted surprise. Fortunately, the power and performance of Pajero are matched by its advanced safety features, which start with excellent visibility thanks to the high seating position, and the advanced 4WD system for improved traction and safety. With its safety construction monocoque body and built-in frame, as well as EBD-enhanced ABS and dual SRS airbags, you and your passengers can relax in the knowledge that you're well taken care of.



Controlled Braking for Improved Response

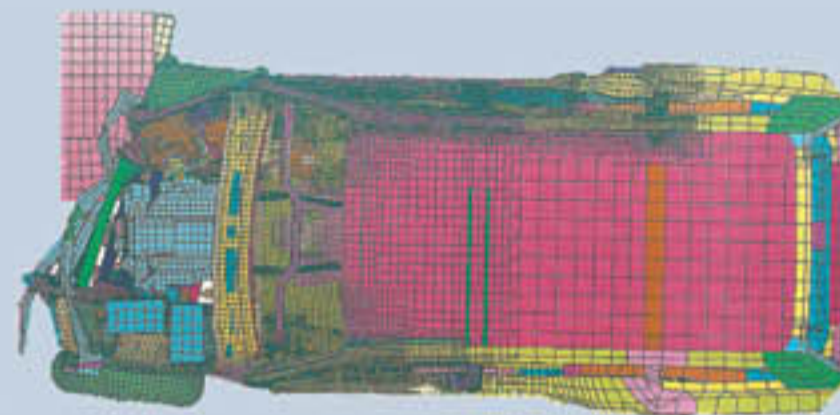


Anti-Lock Braking System

If the road throws you an unexpected curve, you'll be ready. ABS prevents tire-lock by activating the brakes thousands of times per second the moment you step on the pedal. Allowing you to steer around obstacles as you reduce speed.

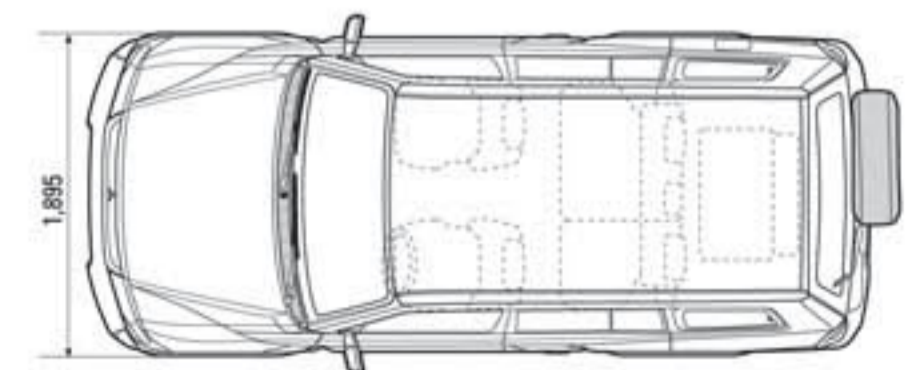
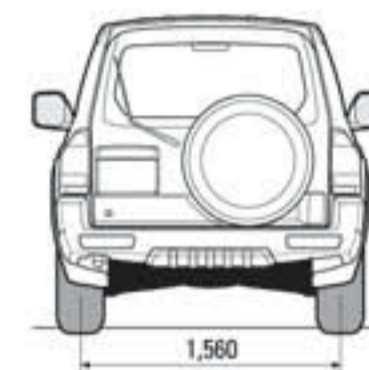
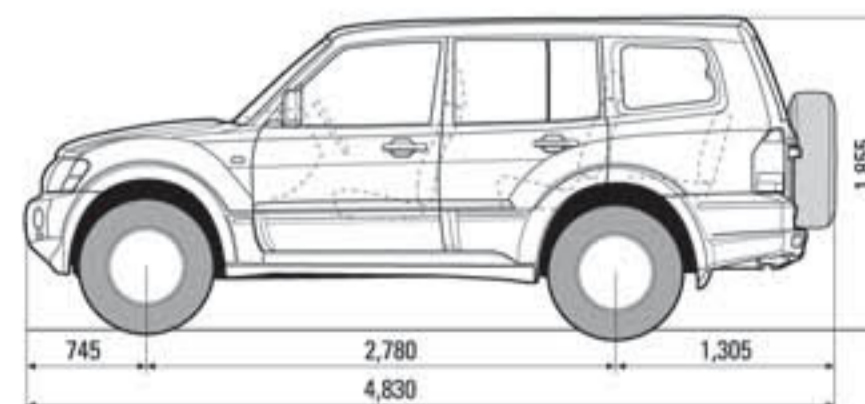
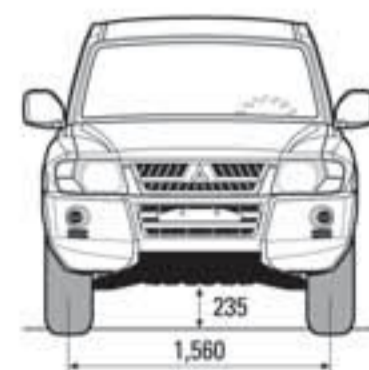
Electronic Brake-Force Distribution

Basic science teaches us that the heavier an object is, the more effort is required to bring it to a stop. EBD modulates each channel's braking force independently. Making sure you come to a quick, safe stop regardless of cargo load or road conditions.



Body Designed for Safety

Trouble can come from any direction, but regardless of where it strikes, Mitsubishi's safety design body creates a solid line of defense to protect everyone on board. Crumple zones about the engine absorb impact energy while the incredibly rigid monocoque body and built-in frame create a protective guard so that all cabin occupants are safe, and more importantly, feel safe, in any driving situation.



Unit of measurement in mm.

3 Years 100,000km WARRANTY



© August 2006 - New Pajero_01 Mitsubishi Motors Philippines Corp.



Dual SRS Airbags



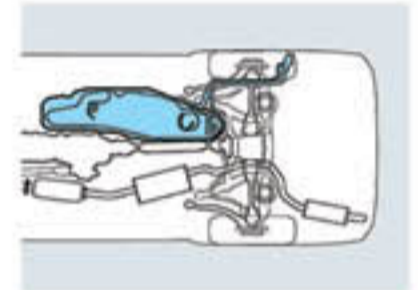
Dealer Option TPMS (Tire Pressure Monitoring System)

The pressure and temperature of all tires, including the spare, are monitored in real time. You get a visible and audible warning in case of a slow leak, a fast leak or a sudden rise in temperature.



Collapsible Propeller Shaft

Made from Carbon Fiber-Reinforced Plastic, the propeller shaft is designed to collapse on impact, preventing it from entering the fuel.



Safety-Design Fuel Tank

Situated ahead of the rear axle for protection against leakage in the event of a collision, Pajero's fuel tank is also guarded by a tough resin underprotector.